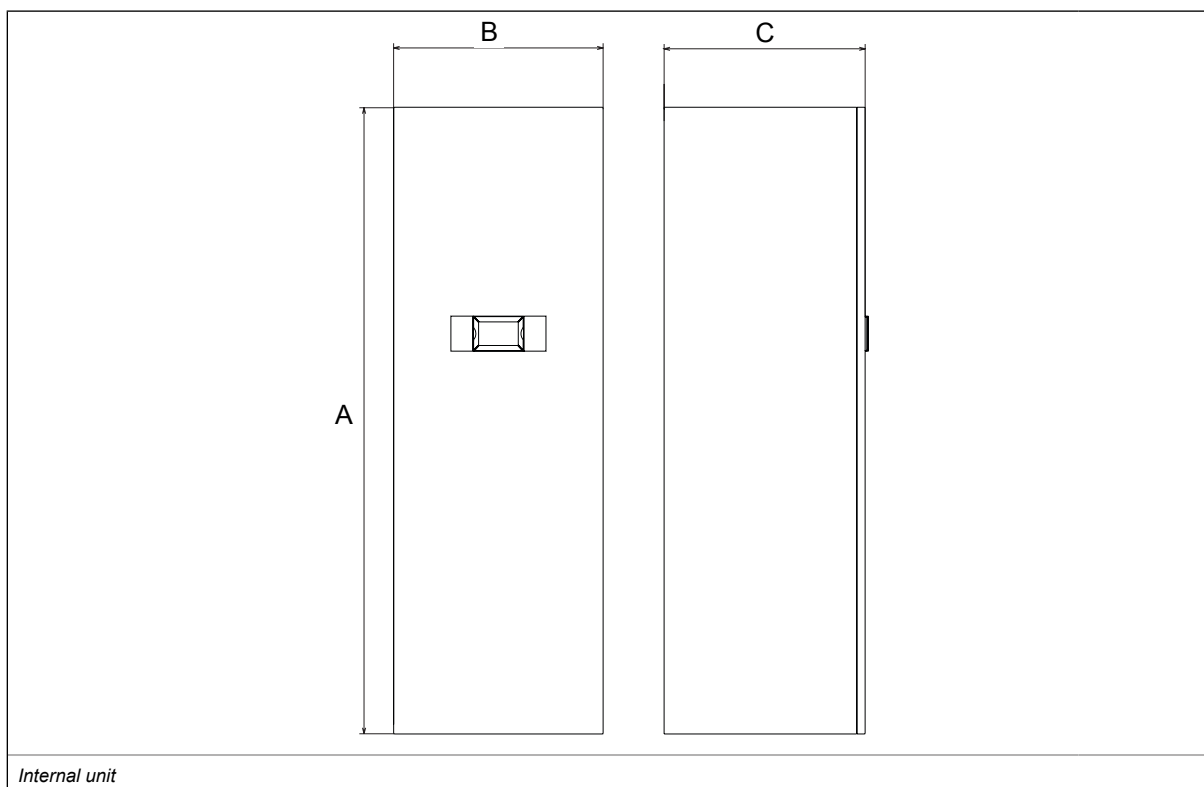


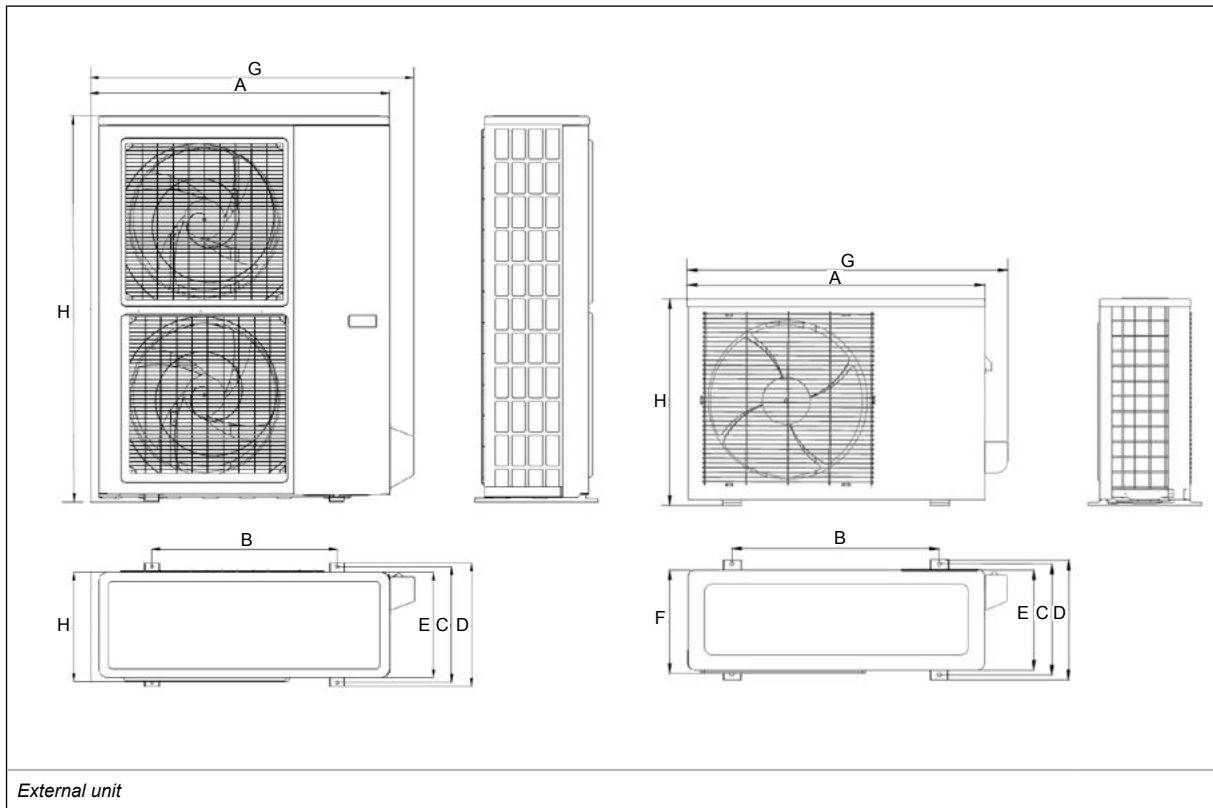
# Dimensions of internal unit



		SHERPA AQUADUE TOWER 7	SHERPA AQUADUE TOWER 11	SHERPA AQUADUE TOWER 13	SHERPA AQUADUE TOWER 13T	SHERPA AQUADUE TOWER 16	SHERPA AQUADUE TOWER 16T
<b>Internal unit</b>		<b>SMALL 599513A</b>		<b>BIG 599512A</b>			
A	mm	1980	1980	1980	1980	1980	1980
B	mm	600	600	600	600	600	600
C	mm	600	600	600	600	600	600
Weight	kg	171	171	173	173	173	173
Weight in use	kg	183	183	185	185	185	185

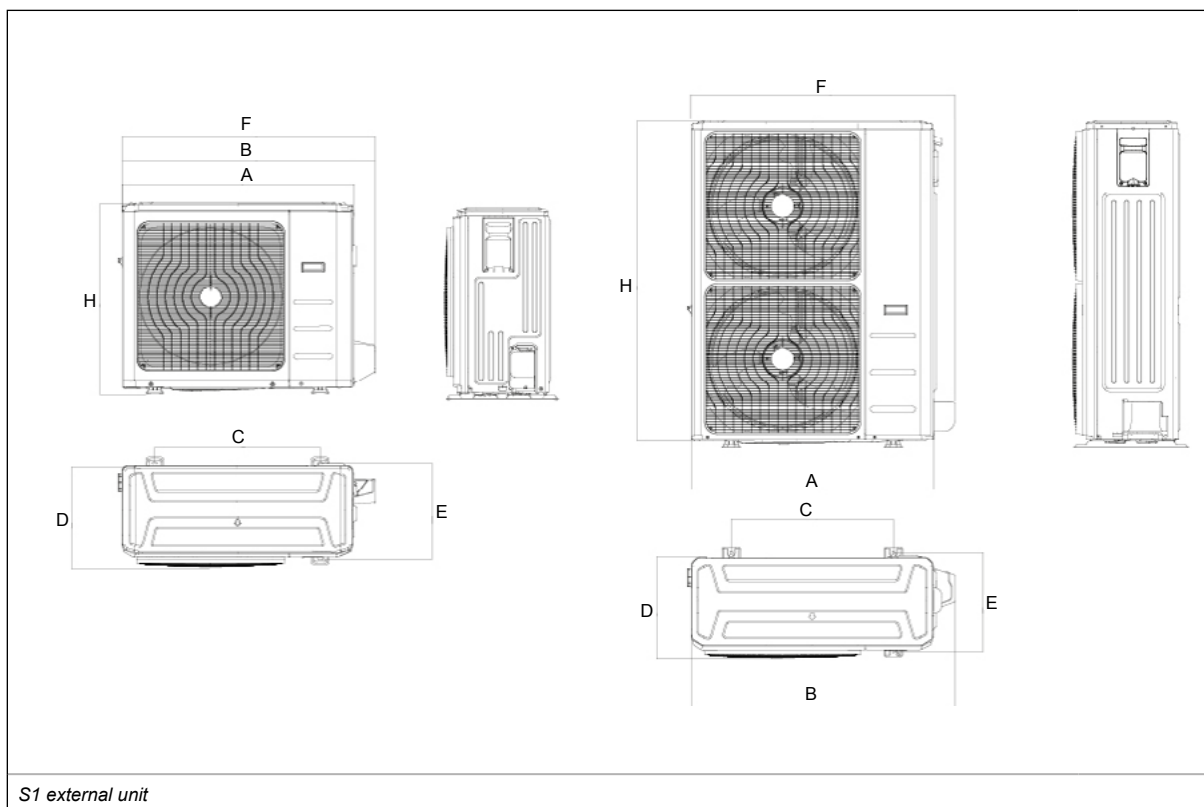
*Dimensions and weight values of the internal unit*

# Dimensions of external unit



		SHERPA AQUADUE TOWER 7	SHERPA AQUADUE TOWER 11	SHERPA AQUADUE TOWER 13	SHERPA AQUADUE TOWER 13T	SHERPA AQUADUE TOWER 16	SHERPA AQUADUE TOWER 16T
<b>External unit</b>		OS CEBSH24EI	OS CEBCH36EI	OS CEINH48EI	OS CETNH48EI	OS CEINH60EI	OS CETNH60EI
		SINGLE-FAN			DUAL-FAN		
A	mm	847	990	938	938	938	938
B	mm	563	622	633	633	633	633
C	mm	340	368	404	404	404	404
D	mm	360	398	448	448	448	448
E	mm	315	340	370	370	370	370
F	mm	330	350	392	392	392	392
G	mm	917	1060	1008	1008	1008	1008
H	mm	700	950	1369	1369	1369	1369
Weight	kg	58	82	99	102	99	107
<i>Dimensions and weight values of the external unit</i>							

# Dimensions of S1 external unit



S1 external unit

		SHERPA AQUADUE TOWER 7	SHERPA AQUADUE TOWER 11	SHERPA AQUADUE TOWER 13	SHERPA AQUADUE TOWER 13T	SHERPA AQUADUE TOWER 16	SHERPA AQUADUE TOWER 16T
<b>S1 external unit</b>		OS CESHH24EI	OS CESHH36EI	OS CESHH48EI	OS CESTH48EI	OS CESHH60EI	OS CESTH60EI
		SINGLE-FAN			DUAL-FAN		
A	mm	845	946	952	952	952	952
B	mm	914	1030	1045	1045	1045	1045
C	mm	540	673	634	634	634	634
D	mm	363	410	415	415	415	415
E	mm	350	403	404	404	404	404
F	mm	915	1036	1032	1032	1032	1032
H	mm	702	810	1333	1333	1333	1333
Weight	kg	49	67	95	108	95	113
<i>Dimensions and weight values of the S1 external unit</i>							